

HOPE'S®

STEEL & BRONZE • WINDOWS & DOORS
HANDCRAFTED IN USA



Impact Resistant

*Jamestown 175™ Series & Empire Bronze™ Windows and Doors
Hopkins Series™ Slide and Fold & 5000 Series™ Lift and Slide Doors*



Jamestown175™

Impact Resistant Windows & Doors

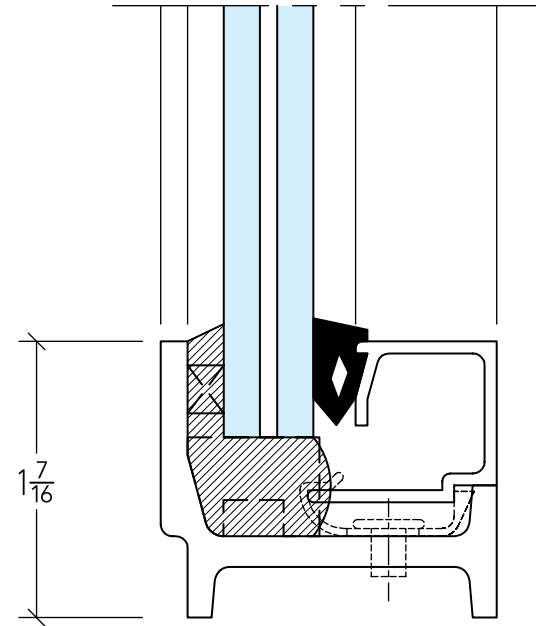
- Handcrafted custom capabilities
- Offers exceptional design flexibility
- Narrow profiles
- Large spans and openings
- Elegant sightlines
- Solid brass hardware
- Unmatched material strength of steel
- Triple integral groove weatherstripping
- True divided lite options
- Hope's Power of 5 Finishing System

Private Residence, Mt. Pleasant, SC
Photographer: IMG_INK

Hope's impact resistant windows and doors open up a world of new possibilities in design flexibility.

Jamestown175™

Impact Resistant Windows & Doors



Detail is full scale



Private Residence, Kiawah Island, SC
Photographer: IMG_INK

Private Residence, Kiawah Island, SC
Photographer: IMG_INK



Empire Bronze™

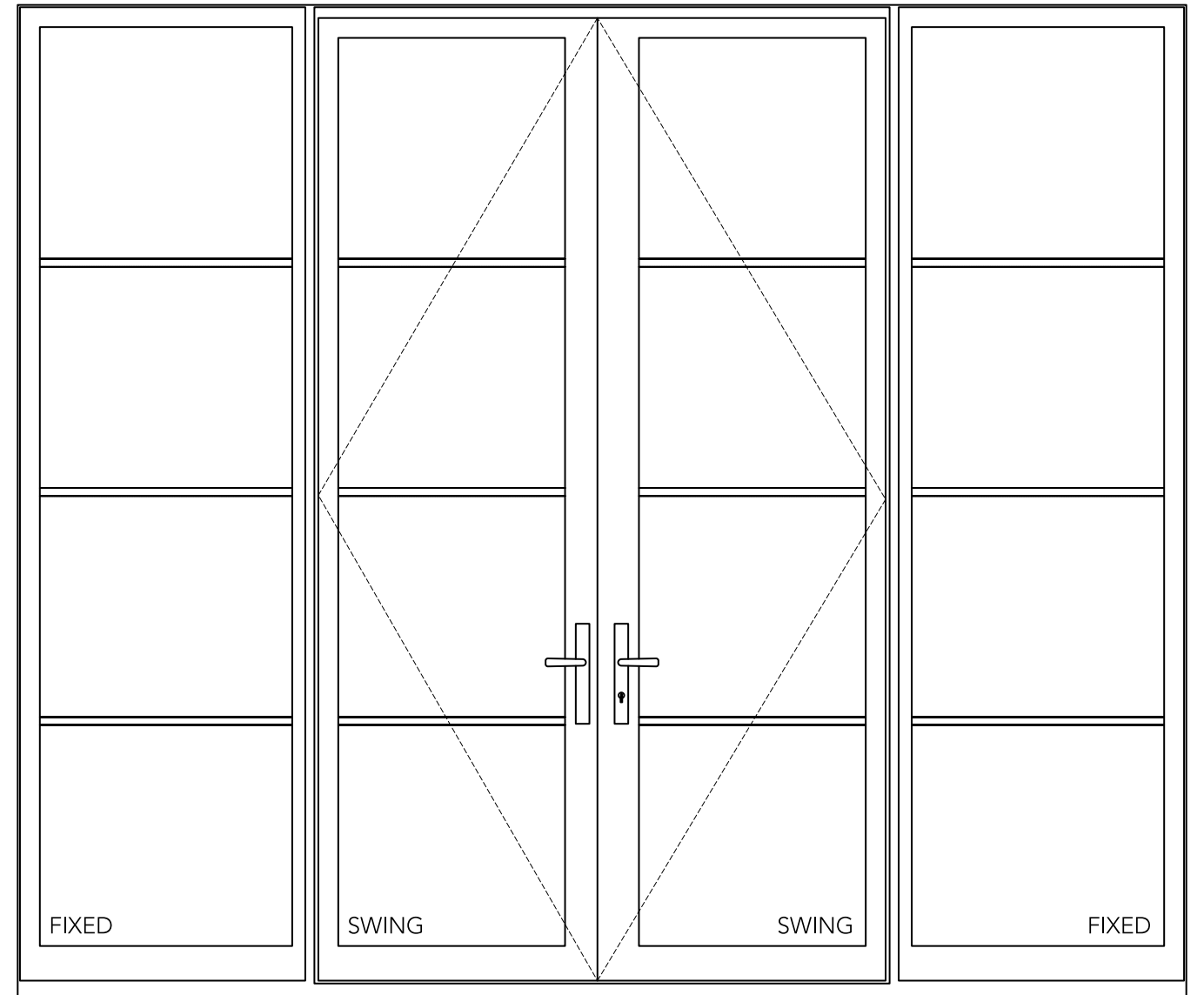
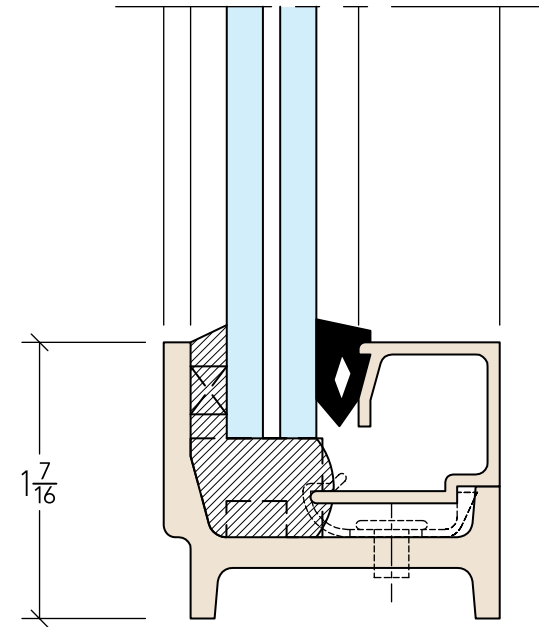
Impact Resistant Windows & Doors

- Handcrafted custom capabilities
- Offers exceptional design flexibility
- Narrow profiles
- Large spans and openings
- Solid bronze window and door profiles
- Solid brass hardware
- Exceptional material strength
- Double integral groove weather-stripping
- Bronze finishes

■ *Hope's impact resistant bronze windows and doors afford effortless protection and peace of mind for elite properties.*

Empire Bronze™

Impact Resistant Windows & Doors

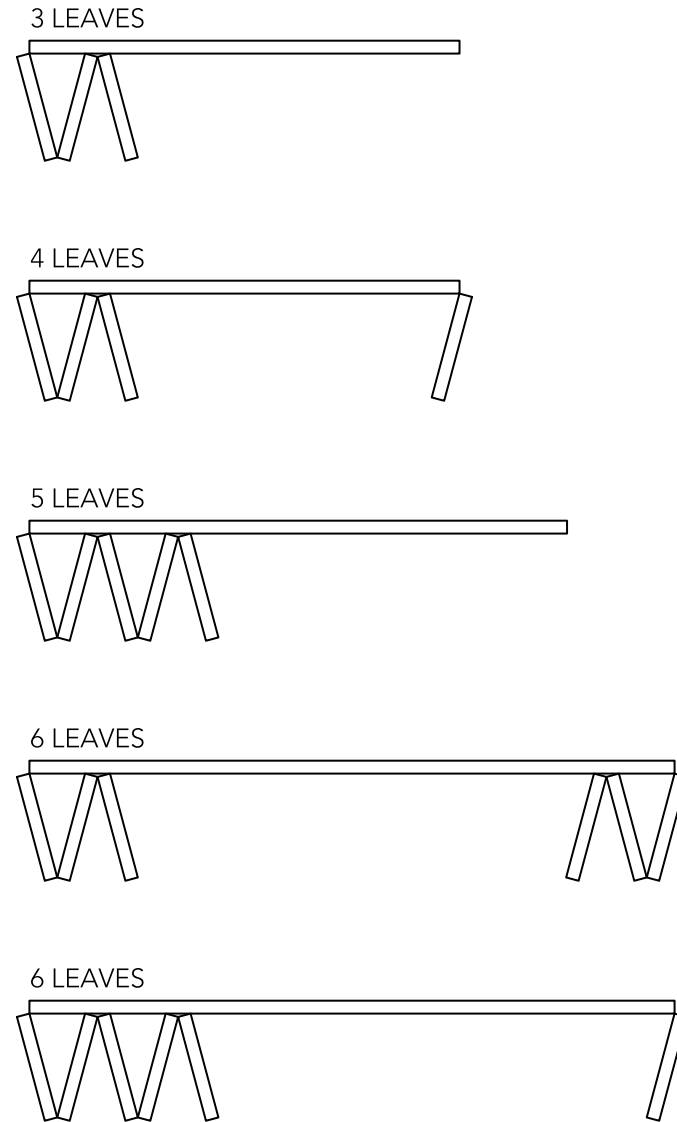


Detail is full scale

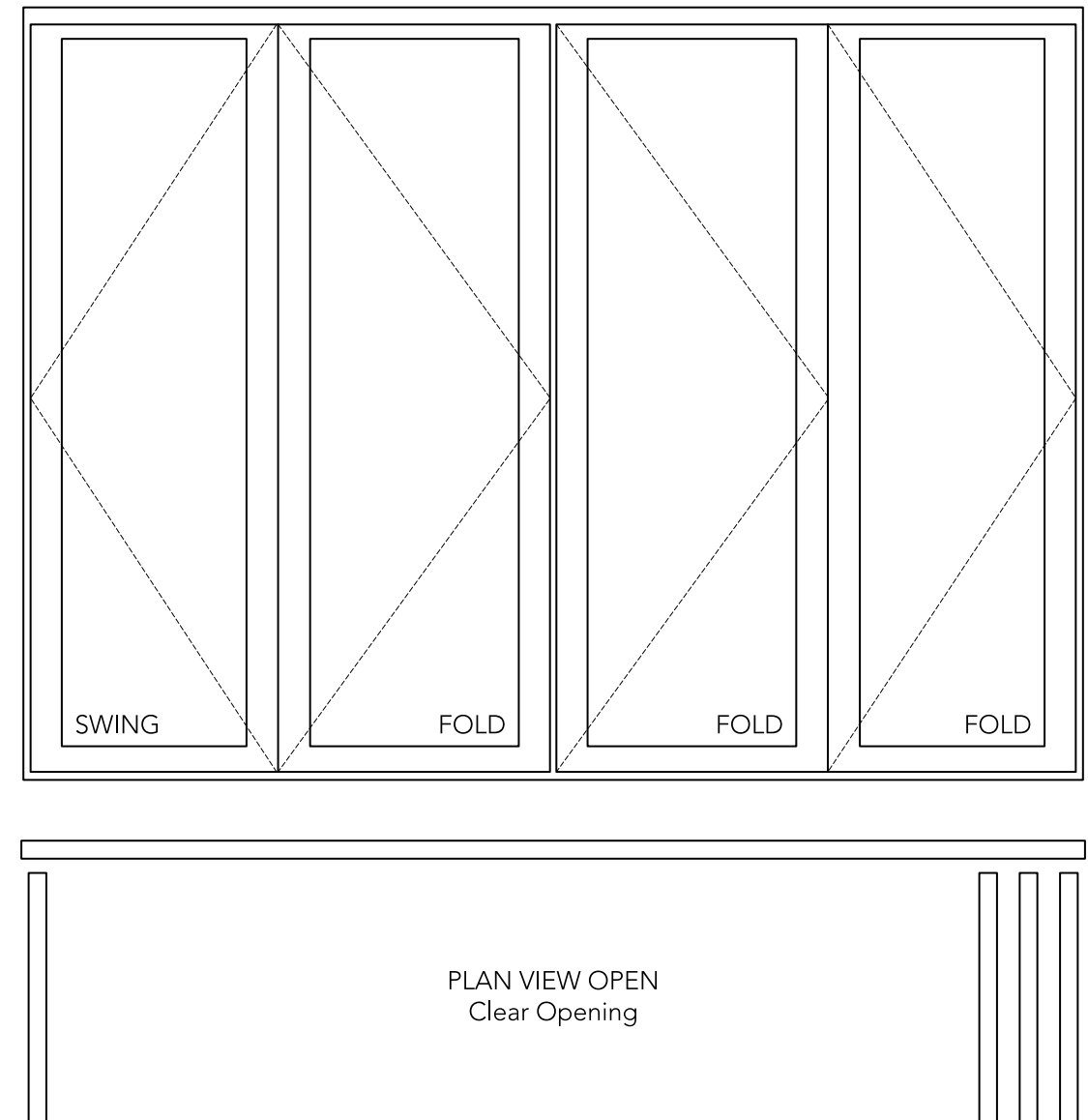
Hopkins Series™

Impact Resistant Slide & Fold Doors

- Handcrafted custom capabilities
- Narrow profiles
- Large spans and openings
- Multiple panel configurations
- Unmatched material strength of steel
- Hope's Power of 5 Finishing System
- Solid brass levers
- Ability to match bronze finishes



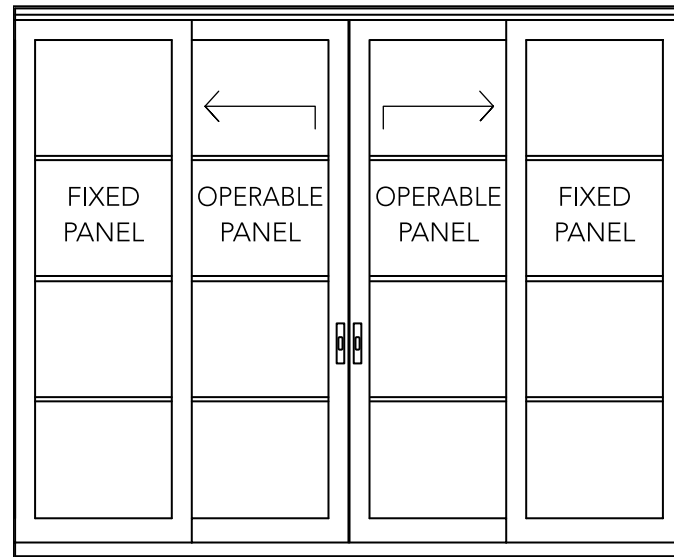
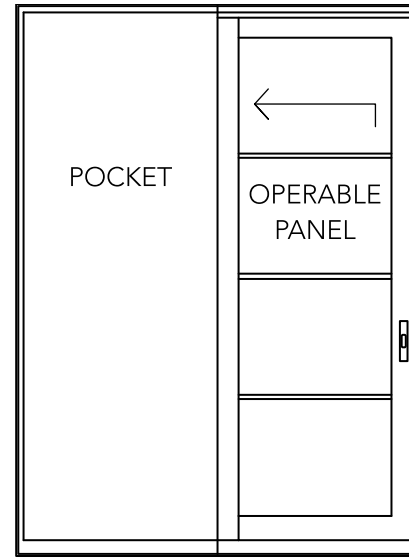
Consult Hope's for additional configuration options



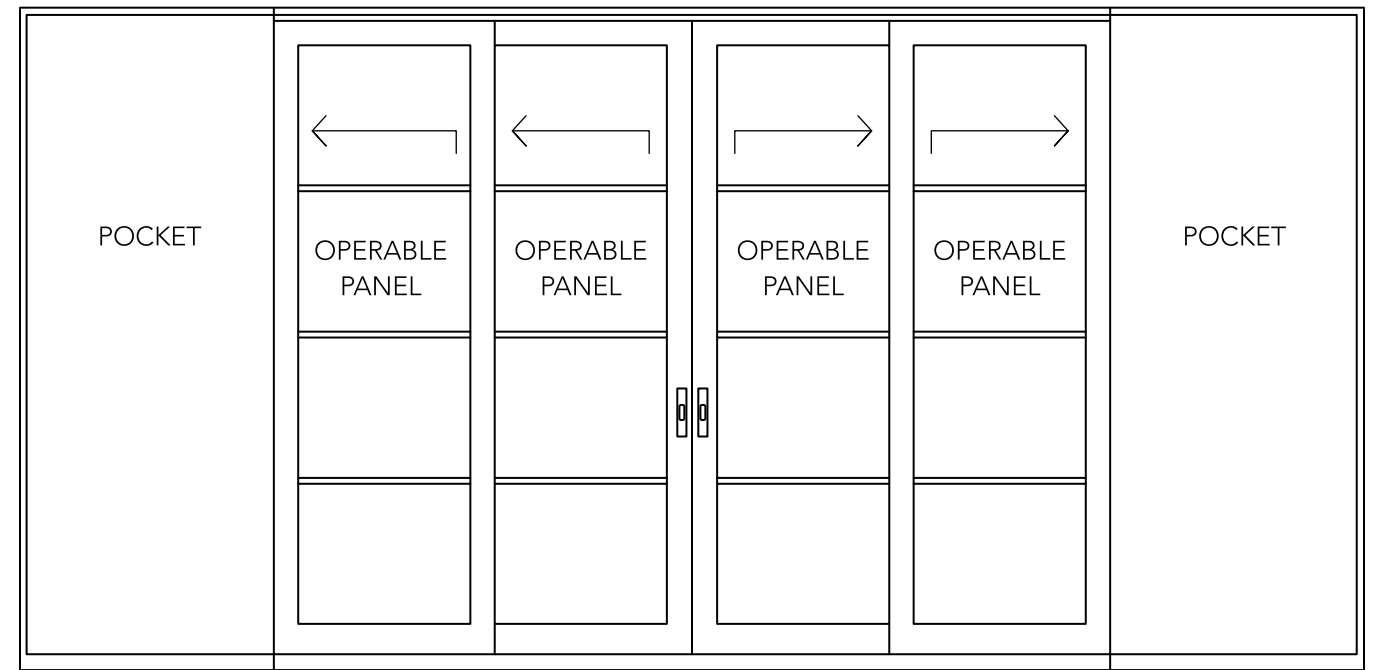
5000 Series™

Impact Resistant Lift & Slide Doors

- Handcrafted custom capabilities
- Narrow profiles
- Large spans and openings with optional pocketing configurations
- Unmatched material strength of steel
- Hope's Power of 5 Finishing System
- Solid brass hardware
- Ability to match bronze finishes



Consult Hope's for additional configuration options



Testing & Compliance

Impact Resistant Windows & Doors

Hope's impact resistant windows and doors have tested to the following standards:

- Florida Building Code (FBC) Impact, High Velocity Hurricane Zone (HVHZ) and Miami-Dade County standards:
 - » TAS 201-94
 - » TAS 202-94
 - » TAS 203-94
- Third party certified for:
 - » Air - ASTM E283
 - » Water - ASTM E331, E547
 - » Structural - ASTM E330
 - » Impact - ASTM E1886, E1996
 - » Forced Entry - ASTM F588

Hope's Windows

Proven Quality and Durability

Hope's Windows, Inc. is the world's preeminent manufacturer of custom steel and bronze windows and doors. Each window and door Hope's creates is proudly handcrafted to meet an owner's, architect's and builder's most exacting and demanding requirements.

Environment

Responsible Sustainability

- Recycled steel
- Meets LEED specifications
- Superior life cycle
- Sustainable design features
- Lead-free and eco-friendly finishing - very low Volatile Organic Compound and Hazardous Air Pollutant levels



Power of 5 Finishing System

for Steel Windows and Doors

1. Cleaning
2. Pretreatment
3. Epoxy E-coat Primer
4. Epoxy Powder Primer
5. Ultrathane Polyurethane Top Coat

ASTM certified: SSPC-SP8, D714-02, D4585, D1654-05, B117-03, G85, D5894-96, D4541

Field-Applied Finishes

for Bronze Windows and Doors

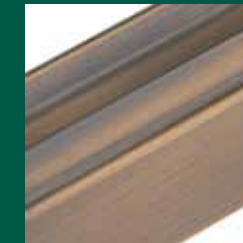
Hope's Empire Bronze windows and doors offer the ageless beauty of solid bronze with elegant sightlines, durability and meticulous manufacturing techniques synonymous with all Hope's products. Choose from a variety of finishes from Natural Satin to Verdigris. Finish images are for representation purpose only and color may vary slightly.



Natural Satin



Vintage Finish



US 10 Statuary



Gun Metal Finish



Verdigris Finish

HOPE'S®

STEEL & BRONZE • WINDOWS & DOORS
HANDCRAFTED IN USA

Throughout its long history, Hope's windows and doors have been synonymous with longevity and quality. From the development of truly visionary design concepts through an unparalleled finishing process, Hope's is the first choice in premium quality steel and bronze windows and doors. To learn more, visit www.hopeswindows.com.



84 Hopkins Avenue, PO Box 580 • Jamestown, NY 14702-0580
Phone 716.665.5124 • Fax 716.665.3365
sales@hopeswindows.com • www.hopeswindows.com



Printed in USA